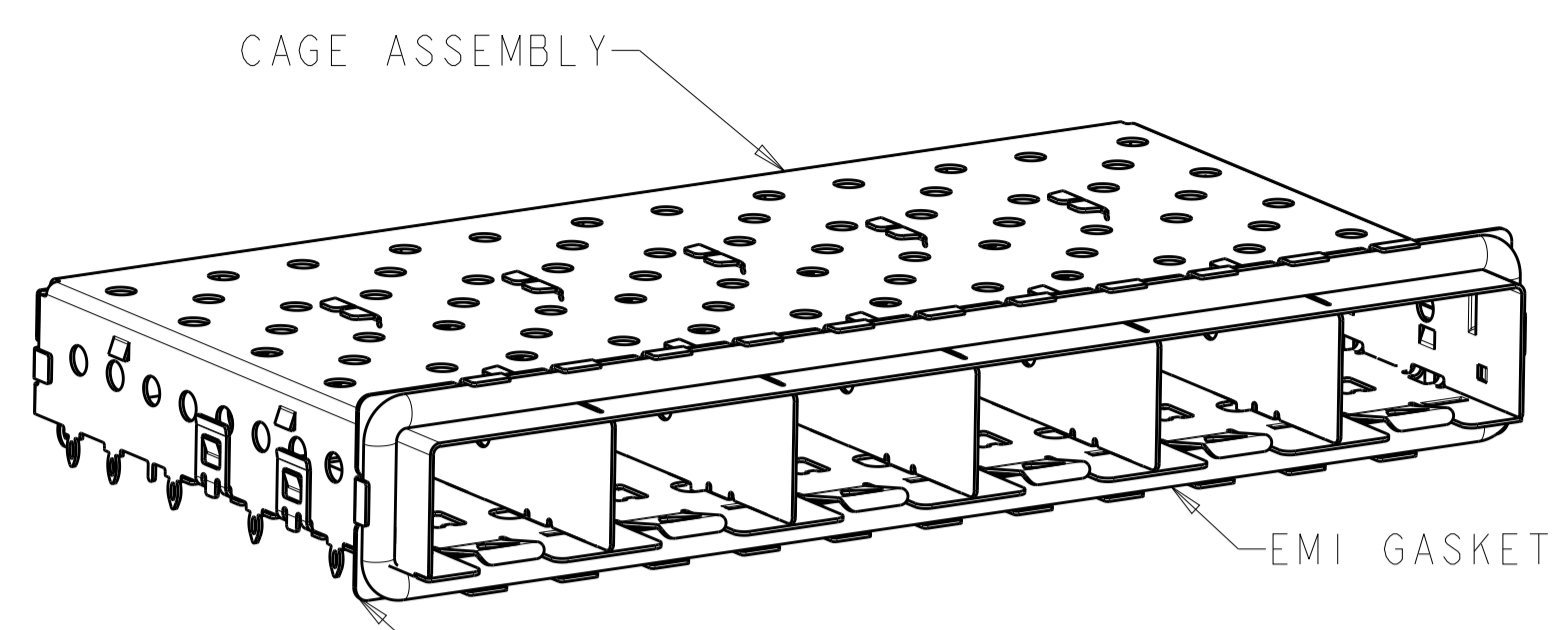
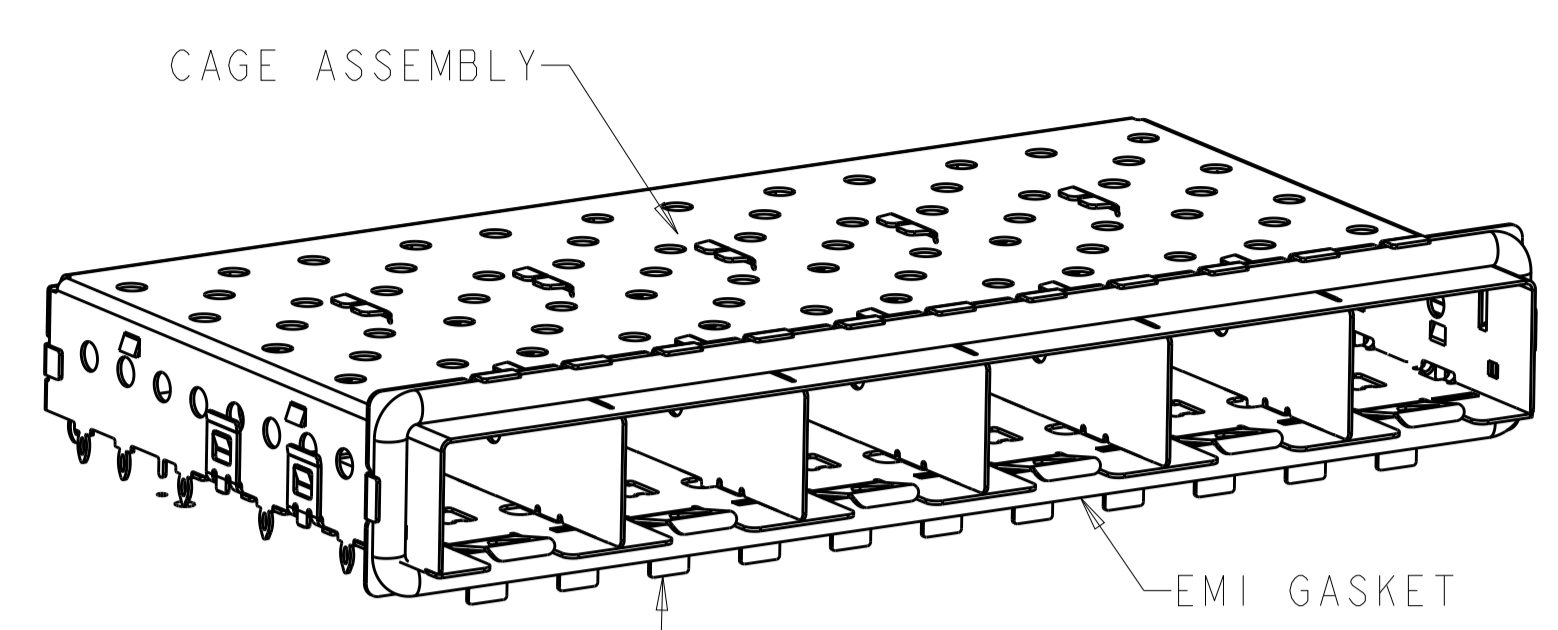


LOC		DIST		REVISIONS			
GP	00	P	LTN	DESCRIPTION	DATE	DWN	APVD
		D		REVISED PER ECO-12-018536	16OCT2012	JY	AC



GASKET RETENTION PLATE
 "KEEPER" FINGER ARE BENT 90°.

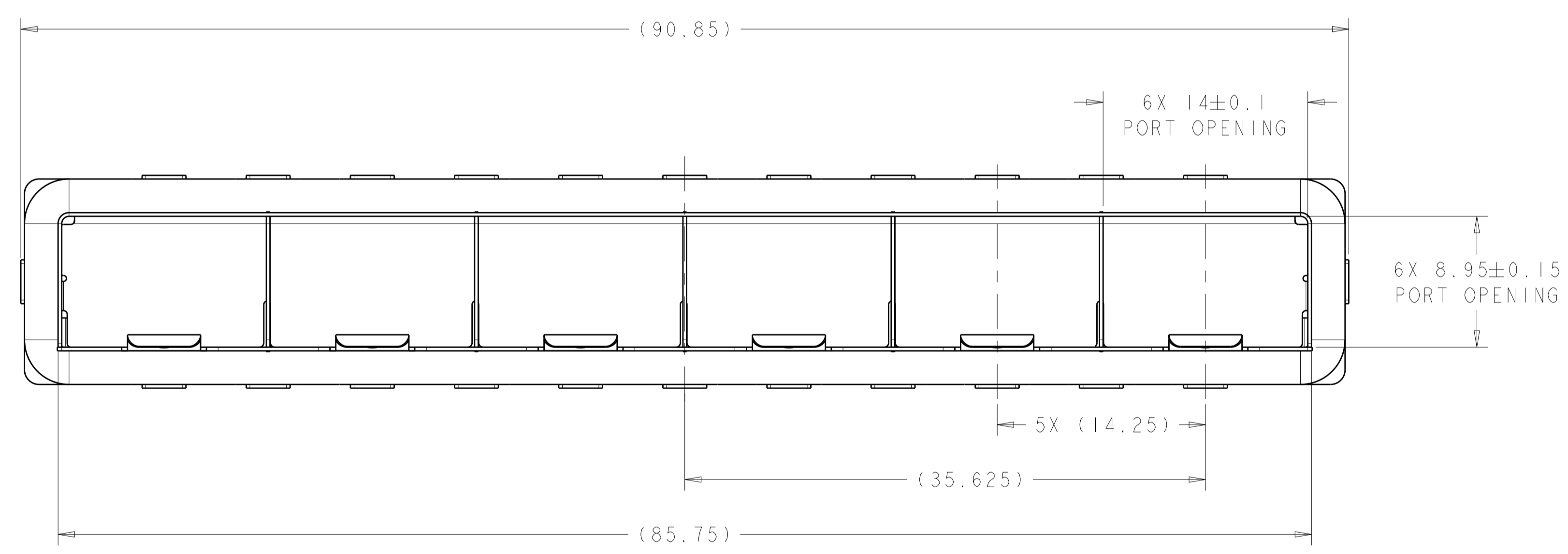
2007170-1
 SCALE 2:1



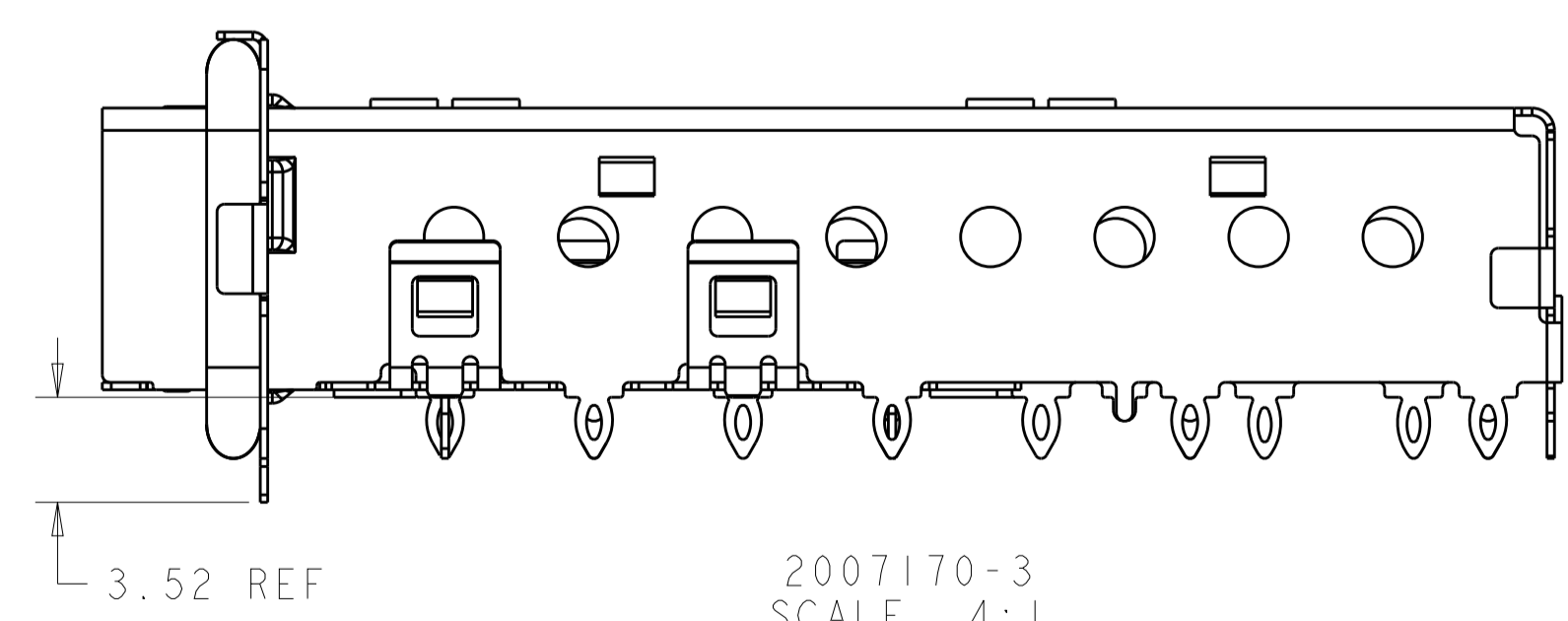
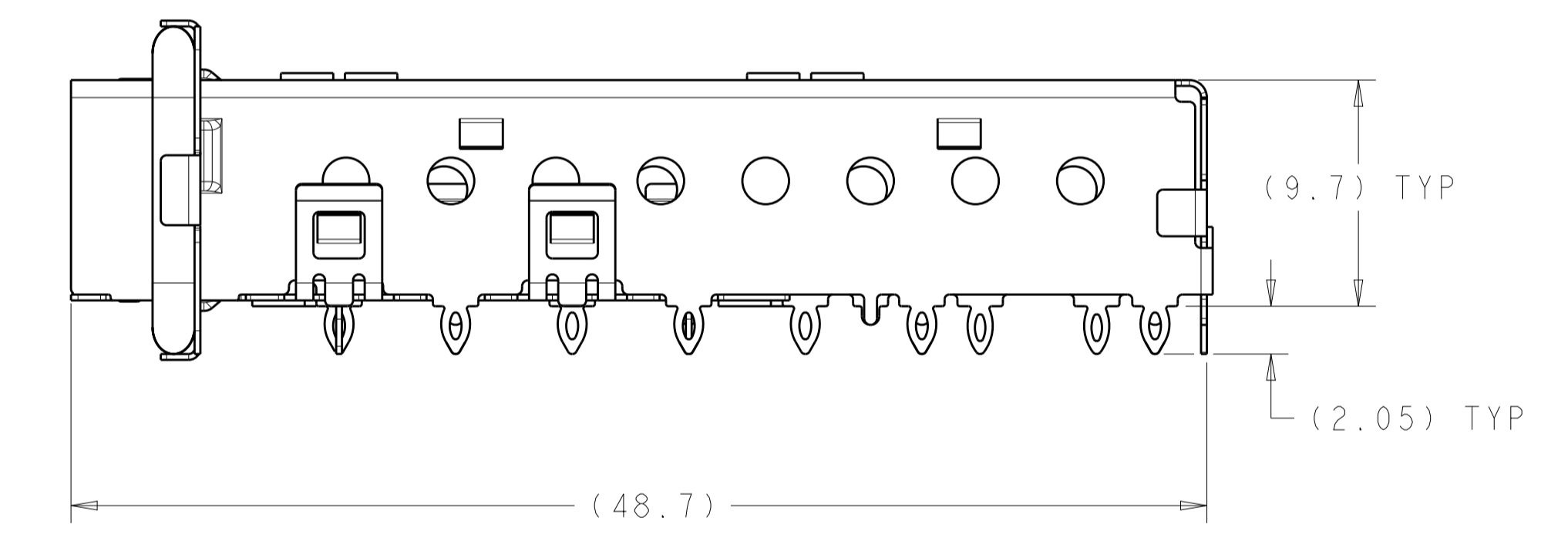
GASKET RETENTION PLATE
 BOTTOM "KEEPER" FINGER ARE
 NOT BENT 90°.

2007170-3
 SCALE 2:1

- 1. MATERIAL:
 CAGE ASSEMBLY: 0.25mm THICK NICKEL SILVER ALLOY
 GASKET RETENTION PLATE: STAINLESS STEEL
 GASKET: PLATED FILLED SILICONE
- 2. DATUM AND BASIC DIMENSION ESTABLISHED BY CUSTOMER.
- 3. MATES WITH SFP MSA COMPLIANT TRANSCEIVERS.
- 4. PADS AND VIAS CHASSIS GROUND.
- 5. INTERPRETATION OF DATUM REFERENCE FRAME IN ACCORDANCE WITH SECT 4.4.1.1 OF ASME Y14.5M-1994.
- 6. MINIMUM PC BOARD THICKNESS = 1.50mm.
- 7. HOLE PATTERN REPEATS FOR EACH PORT. SPACING BETWEEN PORTS IS 14.25mm.
- 8. REFERENCE APPLICATION SPEC. 114-13120, HOLE A, FOR RECOMMENDED DRILL HOLE DIAMETER AND PLATING THICKNESS.
- 9. REFERENCE APPLICATION SPEC. 114-13120, HOLE B, FOR RECOMMENDED DRILL HOLE DIAMETER AND PLATING THICKNESS.
- 10. PRODUCT COMPLIES WITH SPECIFICATION SFF-8433 IMPROVED PLUGGABLE FORM FACTOR FOR SFP+ GANGED CAGES.



2007170-1 AS SHOWN
 SCALE 4:1

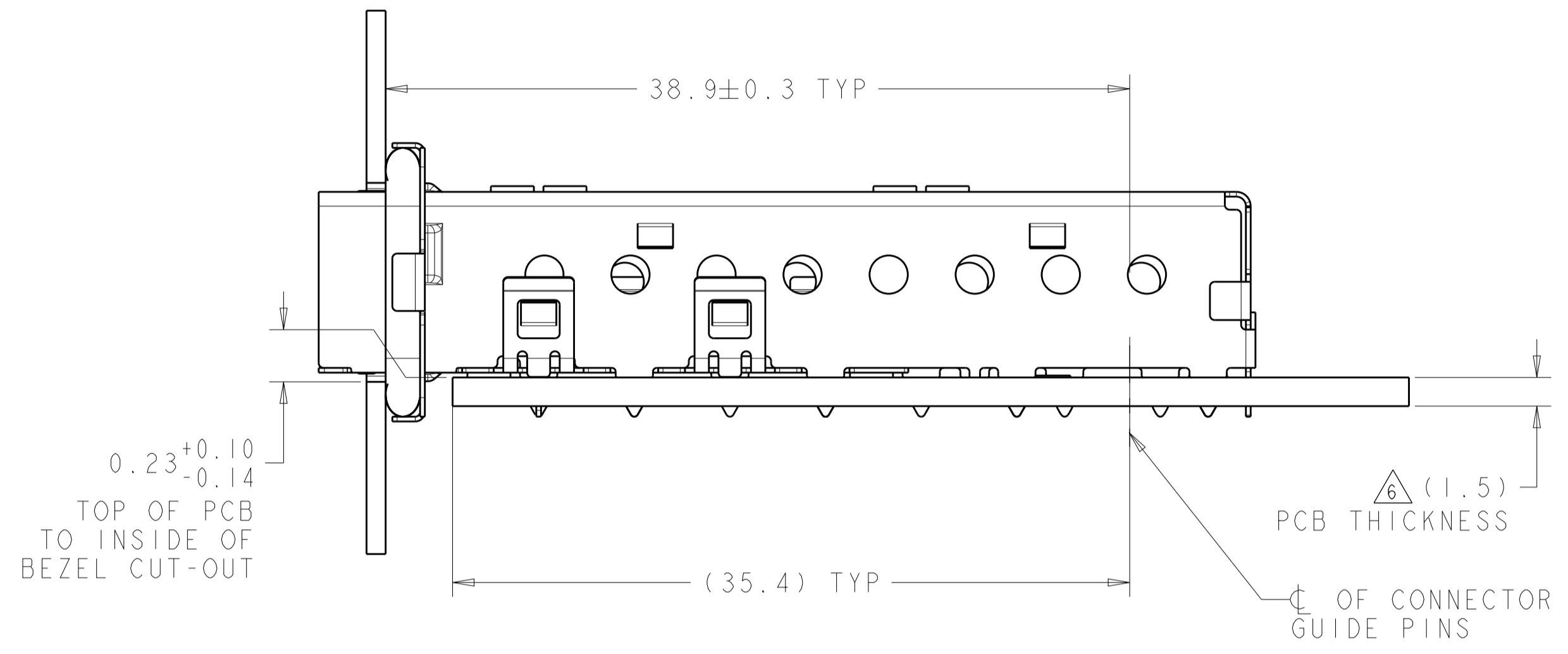
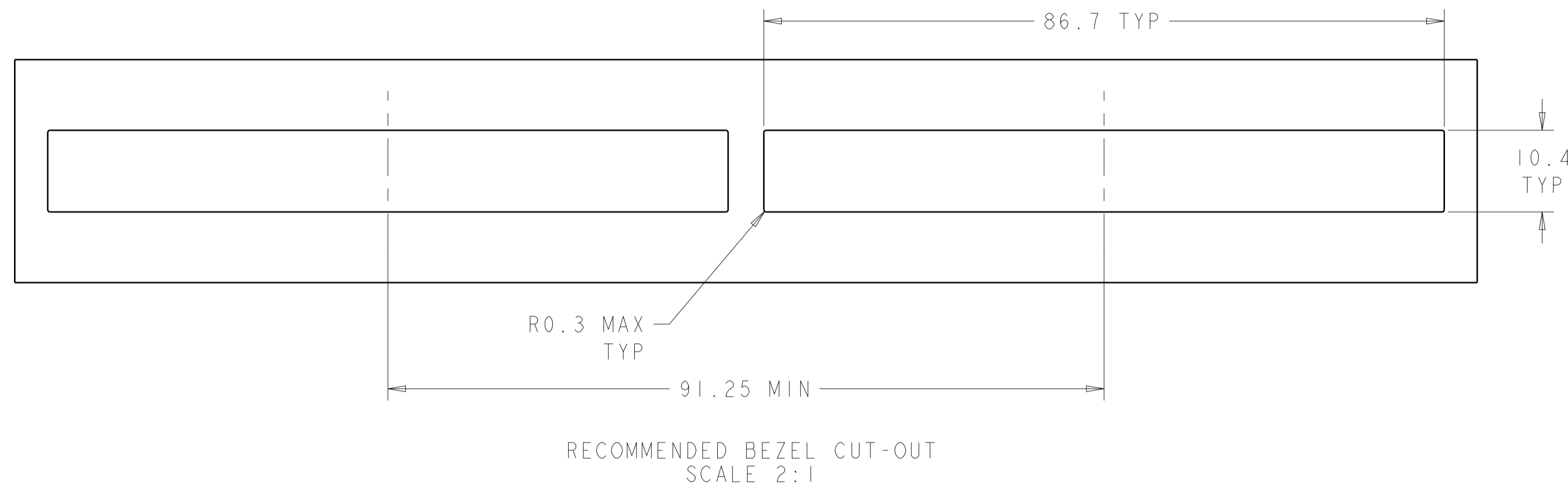


2007170-3
 SCALE 4:1

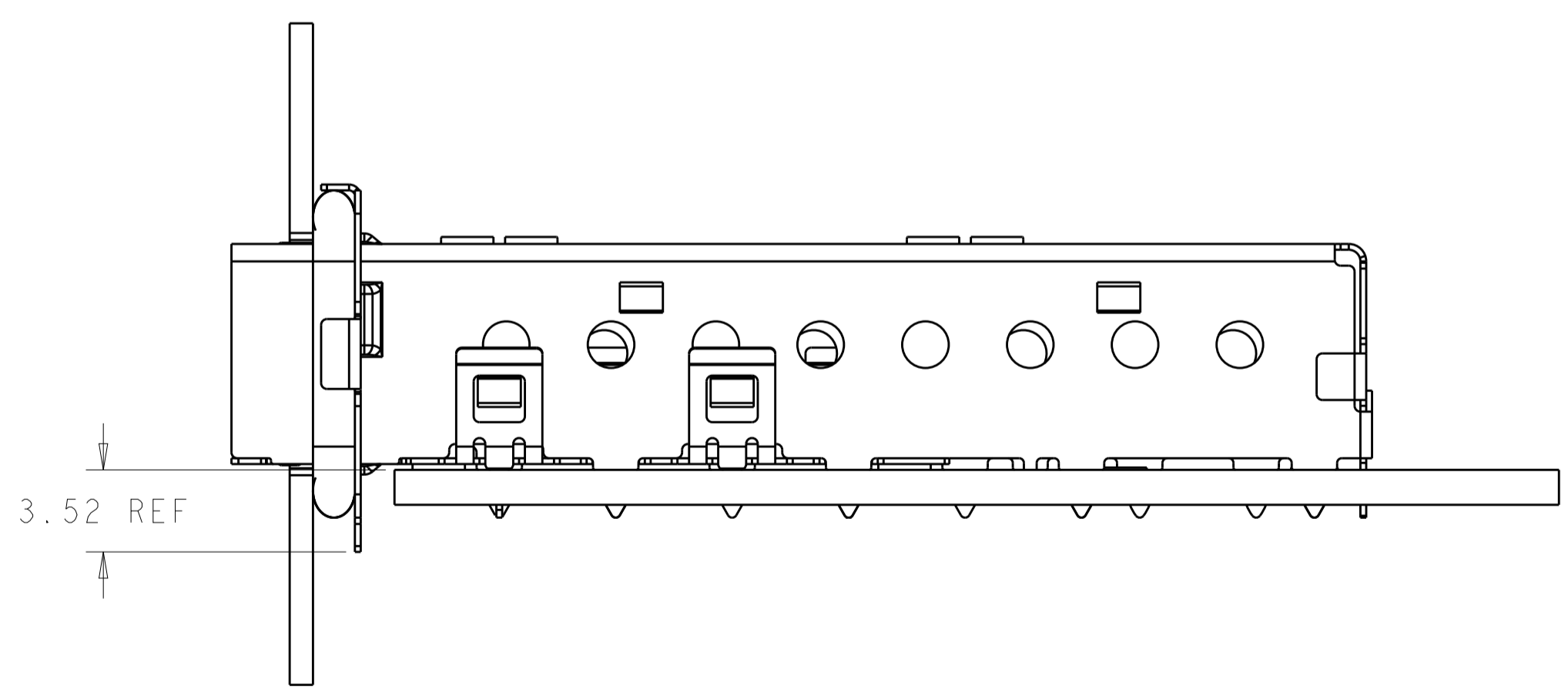
2007170-3
 2007170-1
 PART
 NUMBER

THIS DRAWING IS A CONTROLLED DOCUMENT.		DWN Z. M. BEAM 17JUL2007	TE Connectivity
DIMENSIONS:		CHK M. R. SCHMITT 17JUL2007	
mm	TOLERANCES UNLESS OTHERWISE SPECIFIED:	APVD R. H. WERTZ 17JUL2007	NAME SFP+ 1X6 CAGE ASSEMBLY PRESS FIT, EMI GASKET
0 PLC	±0.1	PRODUCT SPEC	SIZE A1
1 PLC	±0.1	108-2364	CAGE CODE 00779
2 PLC	±0.1	APPLICATION SPEC	DRAWING NO 2007170
3 PLC	±0.1	114-13120	RESTRICTED TO
4 PLC	±0.1	WEIGHT	Customer Drawing
ANGLES	±1°	SCALE	1:1
FINISH		SHEET	1 OF 3
		REV	D

LOC		DIST		REVISIONS			
P	LTN	DESCRIPTION	DATE	DMN	APVD		
-	-	SEE SHEET 1	-	-	-		



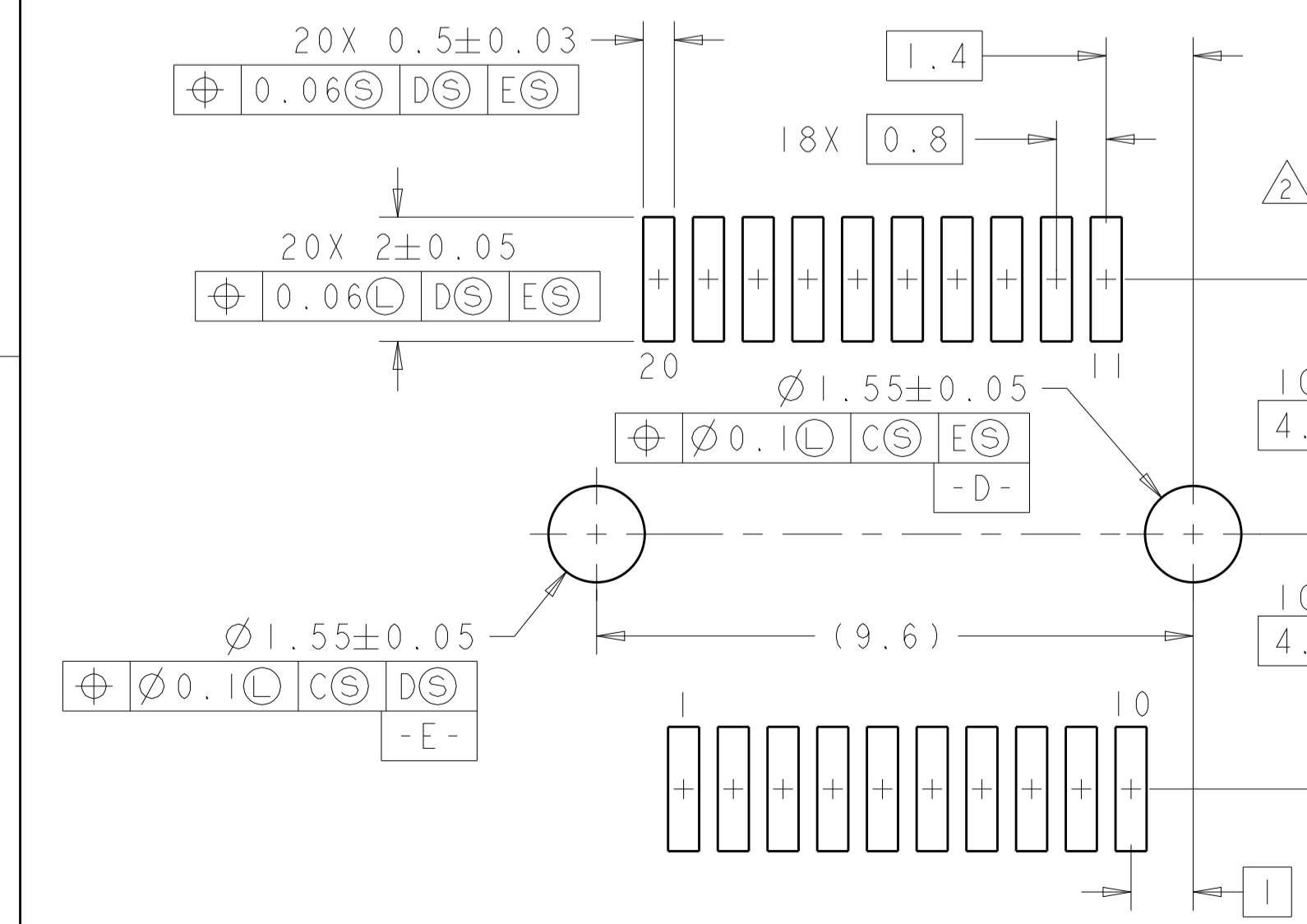
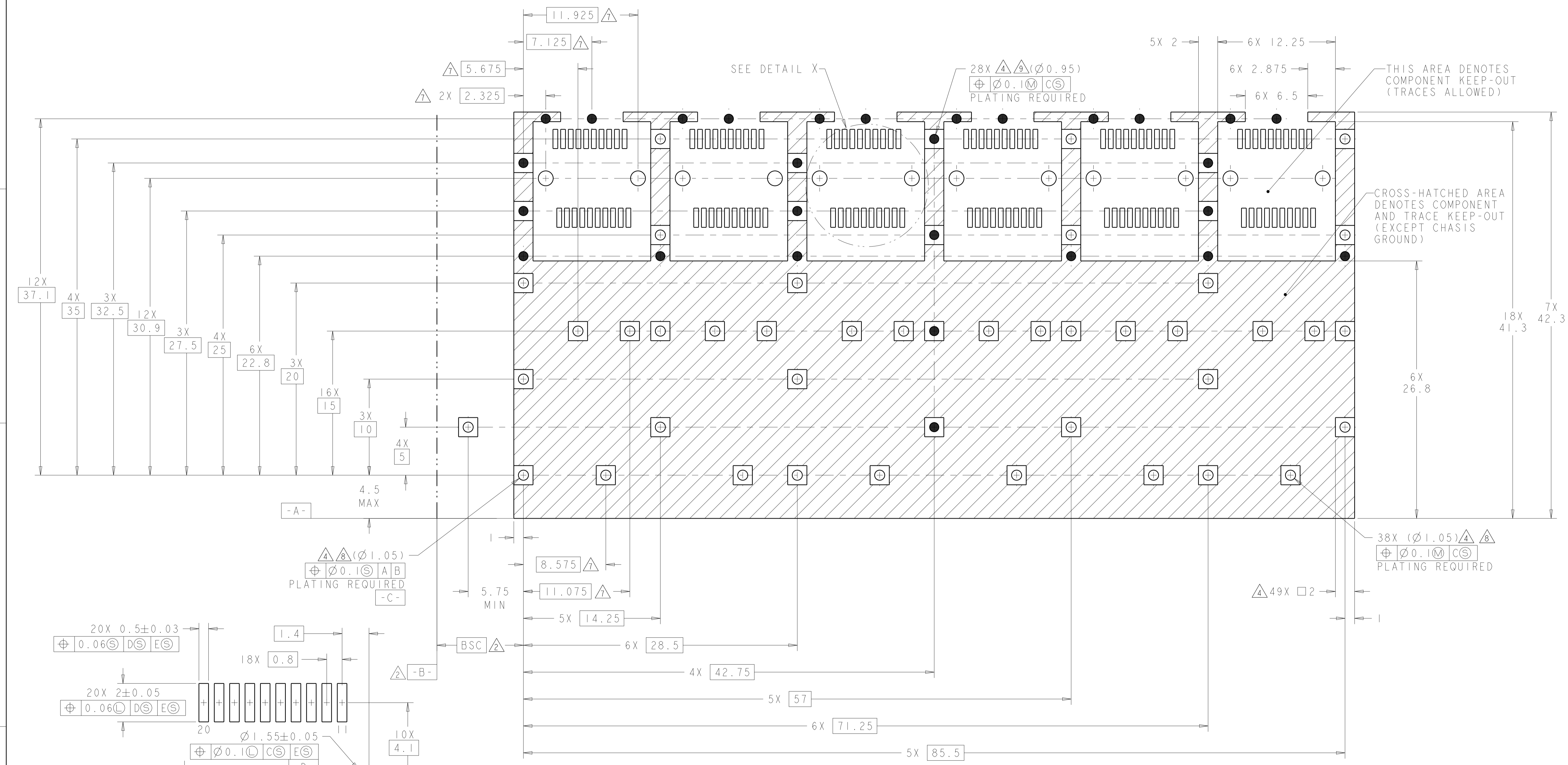
2007170-1
MOUNTED ON PC BOARD
SHOWN THRU RECOMMENDED BEZEL



2007170-3
MOUNTED ON PC BOARD
SHOWN THRU RECOMMENDED BEZEL
SCALE 4:1

THIS DRAWING IS A CONTROLLED DOCUMENT.		DMN Z. M. BEAM 17JUL2007	TE Connectivity
DIMENSIONS: mm		CHK M. B. SCHMITT 17JUL2007	
TOLERANCES UNLESS OTHERWISE SPECIFIED:		APVD B. H. WERTZ 17JUL2007	NAME SFP+ 1X6 CAGE ASSEMBLY PRESS FIT, EMI GASKET
0 PLC ±0.1	1 PLC ±0.1	PRODUCT SPEC 108-2364	SIZE A100779
2 PLC ±0.1	3 PLC ±0.1	APPLICATION SPEC 114-13120	CAGE CODE C=2007170
4 PLC ±0.1	ANGLES ±1°	WEIGHT	RESTRICTED TO
MATERIAL	FINISH	Customer Drawing	SCALE 1:1 SHEET 2 OF 3 REV D

LOC	DIST	REVISONS				
GP	00	REV	DESCRIPTION	DATE	DMN	APVD
-	-	SEE SHEET 1				



DETAIL X
 RECOMMENDED PT CONNECTOR LAYOUT
 6X INDIVIDUALLY
 SCALE 10:1

THIS DRAWING IS A CONTROLLED DOCUMENT.		DMN: Z.M.REAM 17JUL2007	TE Connectivity
DIMENSIONS: mm		CHK: M.B.SCHMITT 17JUL2007	
TOLERANCES UNLESS OTHERWISE SPECIFIED:		APVD: R.H.WERTZ 17JUL2007	
0 PLC \pm 0.1		NAME: SFP+ 1X6 CAGE ASSEMBLY	
1 PLC \pm 0.1		PRODUCT SPEC: 108-2364	
2 PLC \pm 0.1		APPLICATION SPEC: 114-13120	RESTRICTED TO:
3 PLC \pm 0.1		WEIGHT:	SCALE: 1:1
4 PLC \pm 0.1		FINISH: #1*	SHEET: 3 OF 3
MATERIAL:		Customer Drawing	REV: D